



[www.smartvm.com](http://www.smartvm.com)  
Toll Free # 1-877-742-4433

# User Manual

**KVM-RKM-15-6RU /17-7RU  
/19-9RU**

**6RU/7RU/9RU Rackmount TFT  
LCD Monitor**



## 1. Table Of Content

<b>1. Table of Content</b>	P.1
<b>2. Introduction</b>	P.2
<b>3. Features</b>	P.2
<b>4. Package Contents</b>	P.3
<b>5. Optional Accessories</b>	P.4
<b>6. Peripheral Products</b>	P.4
<b>7. Important Safeguards</b>	P.5
<b>8. Structure Diagram</b>	P.6
<b>9. Dimension Diagram</b>	
KVM-RKM-15-6RU	P.7
KVM-RKM-17-7RU	P.8
KVM-RKM-19-9RU	P.9
<b>10. LCD OSD Menu Operation</b>	
LCD Membrane Diagram	P.10
Main Menu	P.10
Sub Menu	P.11-12
<b>11. Resolution Settings</b>	
For Windows	P.13
For Sun Servers	P.14
<b>12. Technical Specification</b>	P.15



## 2. Introduction

KVM-RKM-6/7/9RU series is a monitor with built in LCD OSD to provide effective assistant for an administrator to control PC system.

KVM-RKM-6/7/9RU series provides cost effective for your limited IT budget over using CRT and rack mounting. Also, it will be space saving for your compact environment rack.

## 3. Features

Supplied with 12V 5A remote power adapter (single power source)

Rugged metal construction, black cladding is pre-treated and finished in powder coated paint

Three models to choose from 15", 17" or 19" LCD Panel

Side to side wide-angle viewing as CRT monitor.

Lower power consumption

Styled 6mm aluminium front panel.

Standard D-sub 15-pin VGA input connector

Space-saving – Extra rackmounting space from the back of LCD Panel

Built in On Screen Display controlled by integral membrane switches

### Disclaimer

This information is subject to change without notice. The producer of this manual accepts no responsibility for damage or claims, resulting from misuse or misinterpretation



## 4. Package Contents

LCD Monitor	1 Piece
User Manual	1 Piece
DC Power Adapter	1 Piece
Power Cord	1 Piece
VGA cable (6 feet)	1 Piece

### Before Unpacking

It is very important to locate the LCD Monitor in a suitable environment.

The surface for placing and fixing the LCD Monitor should be stable and level or mounted into a suitable cabinet.

Make sure the place has good ventilation, is out of direct sunlight, away from sources of excessive dust, dirt, heat, water, moisture and vibration.

Convenience for connecting the LCD Monitor to the related facilities should be well considers too.

### Unpacking

The LCD Monitor comes with the standard parts shown as above. Check and make sure they are included and in good condition. If anything is missing, or damage, contact the supplier immediately.



## 5. Optional Accessories

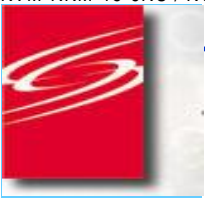
Video Input

15" - 19" Touch Screen

12V / 24V / 48V DC Power Supply

## 6. Peripheral Products

Description
1RU Rackmount Industrial Keyboard Drawer
1RU 4-Port PS/2 KVM Switch
1RU 8-Port PS/2 KVM Switch
1RU 16-Port PS/2 KVM Switch
CAT.5 PS/2 KVM Extender



## 7. Important Safeguards

Please read all of these instructions carefully before you use the device.  
Save this manual for future reference.

Unplug the LCD Monitor from the power outlet before cleaning.

Do not spray liquid cleaners or aerosol directly on the device. Wet a cloth with a neutral detergent (e.g. clean water) and squeeze it tight, then clean the screen slightly with it.

Do not expose the LCD Monitor directly to rain, water, moisture or sunlight.

Avoid pressure on the LCD screen to prevent permanent damage to the display.

Do not attempt to service the device yourself. Improper operation may void your warranty. Refer all servicing to qualified service personnel.

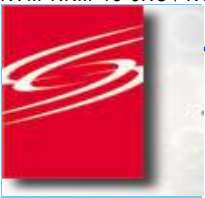
Safe storage environment of the LCD Monitor is ranging between  $-20^{\circ}\text{C}$  and  $60^{\circ}\text{C}$ . Permanent damage could occur if the LCD Monitor is stored outside the safe range.

Unplug the LCD Monitor immediately and call qualified service personnel under the following conditions:

1. The VGA signal cord is frayed or damaged.
2. If the monitor has been exposed to rain, liquid or water.
3. If the monitor has been dropped or the casing has been damaged.

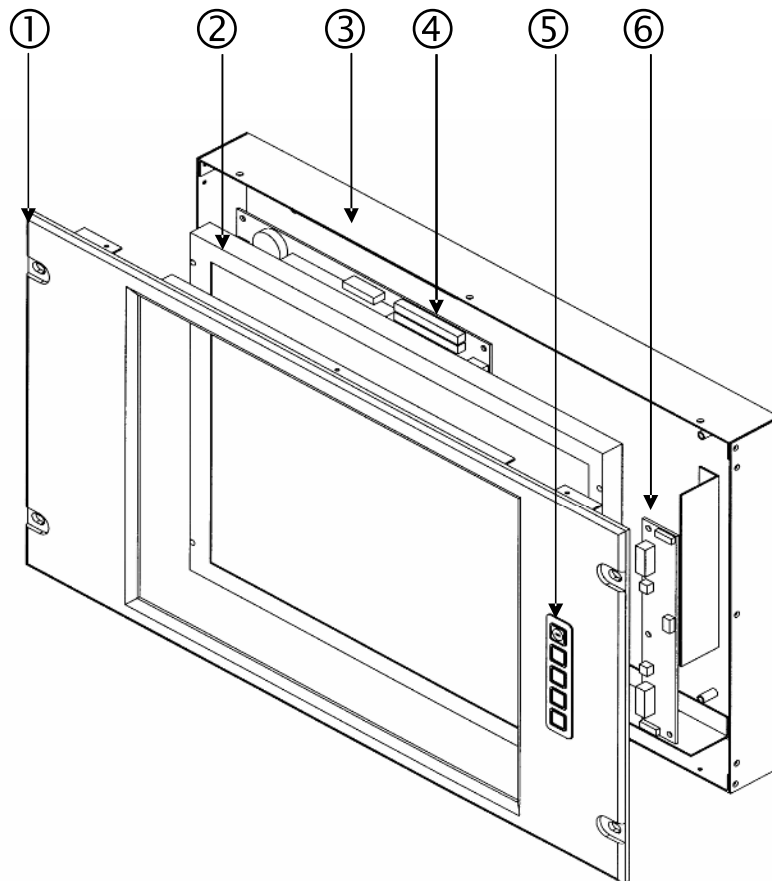
### What the warranty does not cover

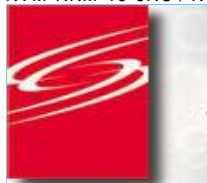
1. Any product, on which the serial number has been defaced, modified or removed.
2. Damage, deterioration or malfunction resulting from:
  - a) Accident, misuse, neglect, fire, water, lightning, or other acts of nature, unauthorized product modification, or failure to follow instructions supplied with the product.
  - b) Repair or attempted repair by anyone not authorized by us.
  - c) Any damage of the product due to shipment.
  - d) Removal or installation of the product.
  - e) Causes external to the product, such as electric power fluctuation or failure.
  - f) Use of supplies or parts not meeting our specifications.
  - g) Normal wear and tear.
  - h) Any other causes which does not relate to a product defect.
3. Removal, installation, and set-up service charges.



## 8. Structure Diagram

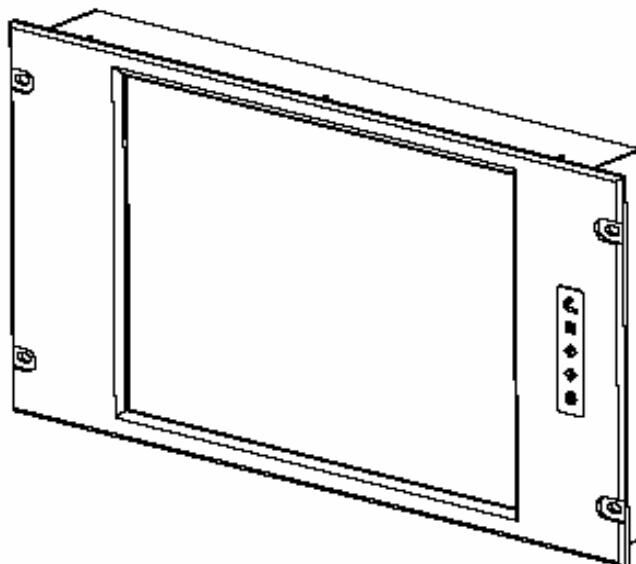
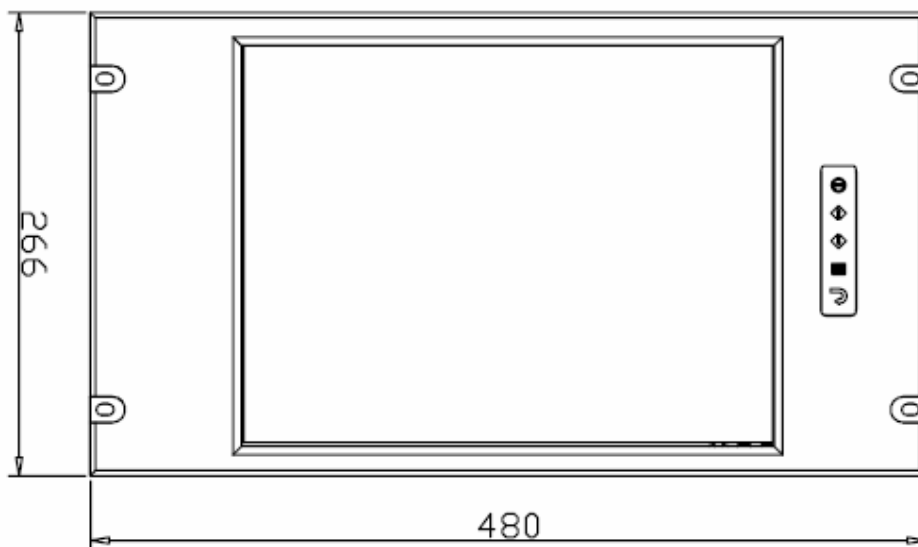
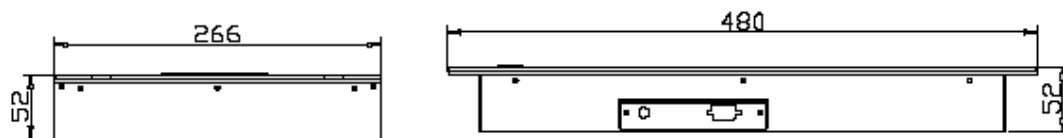
1. Aluminium front panel
2. Class A active matrix TFT LCD panel
3. Rear metal case
4. Analog to digital signal converter board
5. LCD Membrane
6. LCD inverter

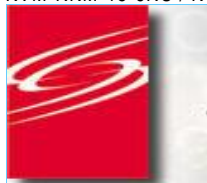




## 9. Dimension Diagram

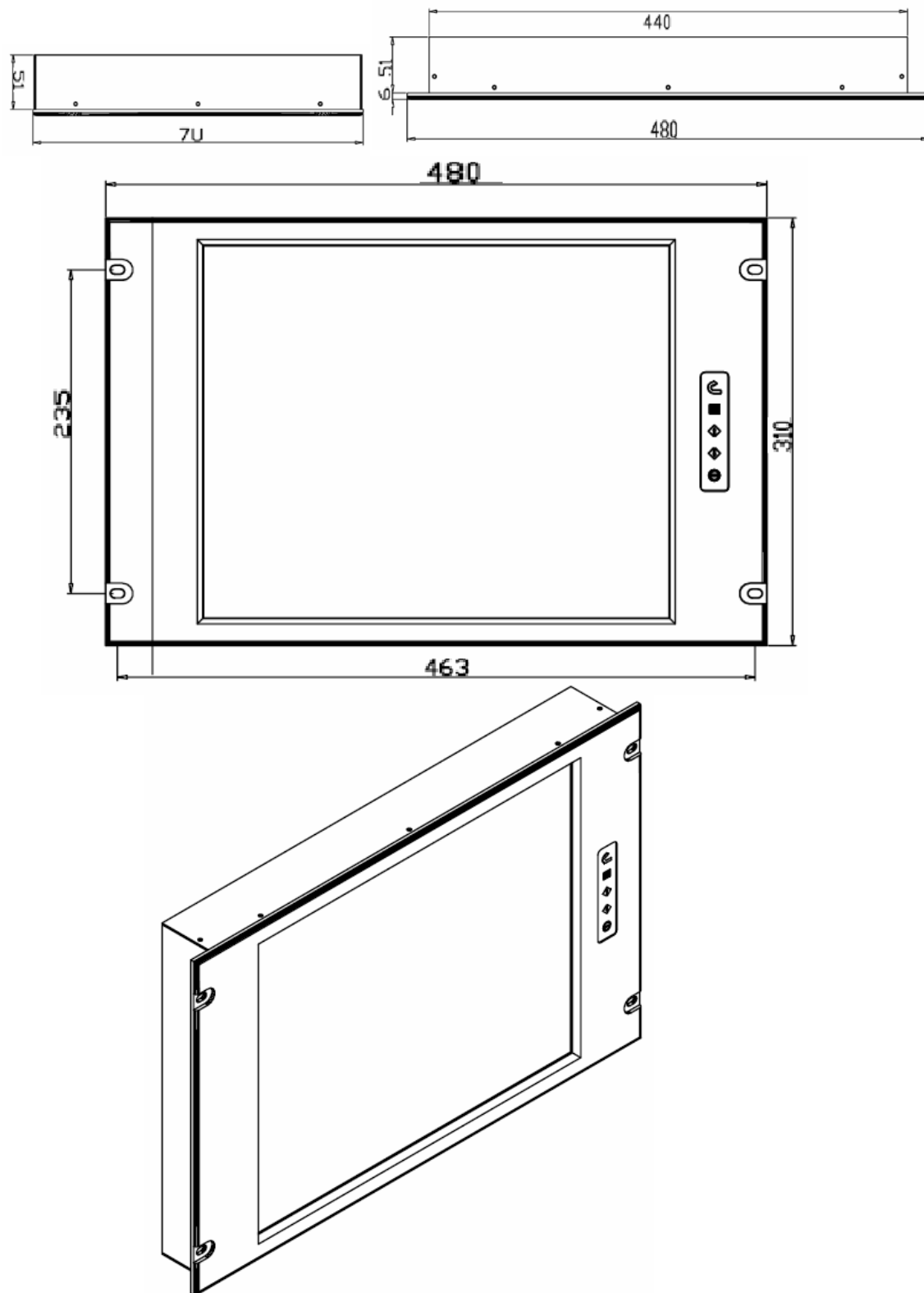
### KVM-RKM-15-6RU





## 9. Dimension Diagram

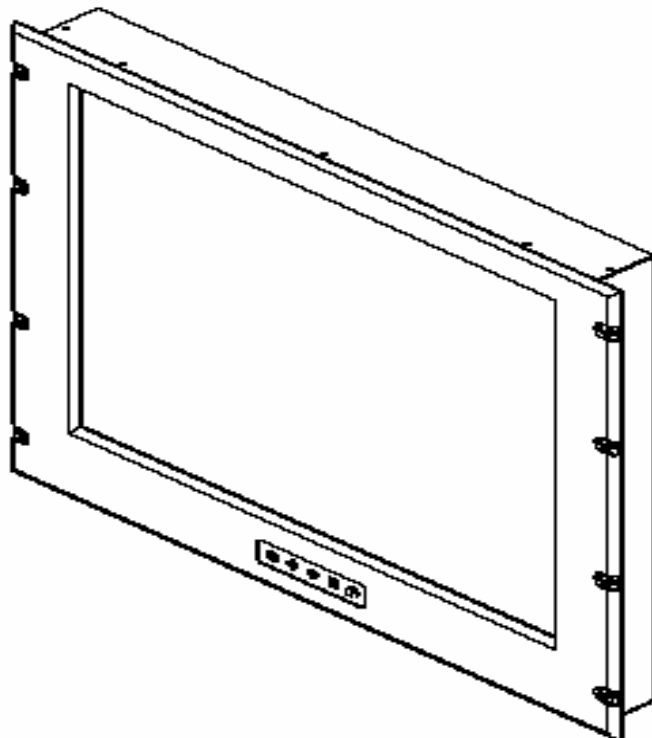
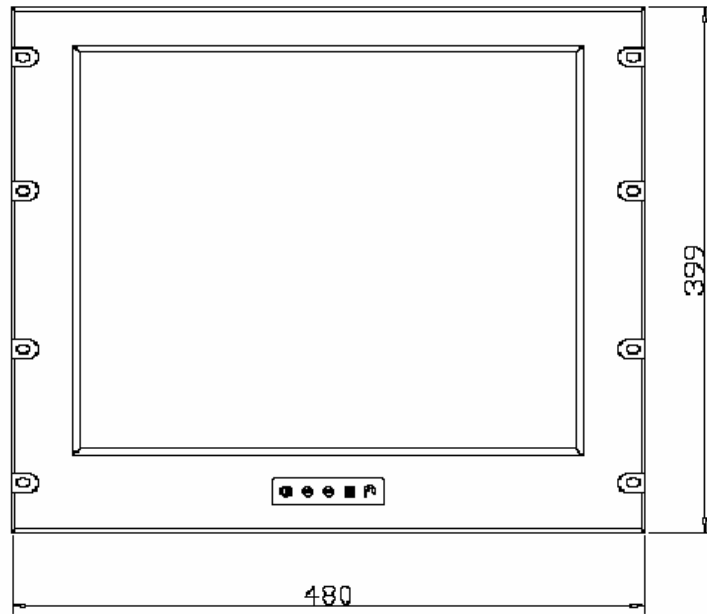
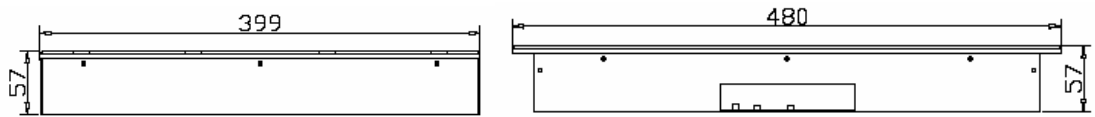
### KVM-RKM-17-7RU





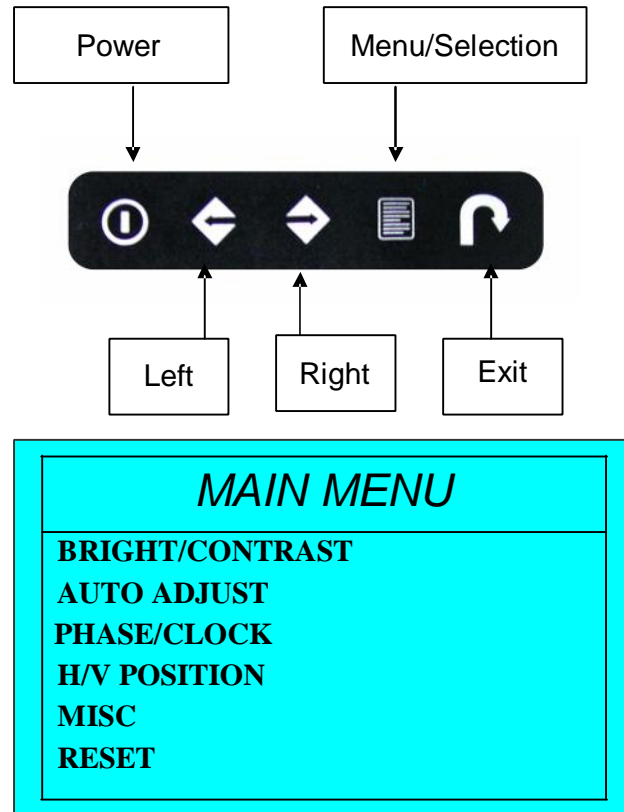
## 9. Dimension Diagram

### KVM-RKM-19-9RU



## 10. LCD OSD Menu Operation

### LCD Membrane Diagram



### Main Menu

#### **Bright / Contrast**

To enter into the Bright, Black level & Contrast sub-menu

#### **Auto Adjust**

To perform automatic optimizations of all functions

An "Adjusting" message is displayed during the process

#### **Phase / Clock**

To enter into the phase & clock sub menu

#### **H/V Position**

To enter into the Position sub-menu

#### **MISC**

To enter into the MISC sub-menu

#### **Reset**

Reset to the default factory settings

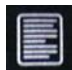


## 10. LCD OSD Menu Operation

### Bright / Contrast

#### 1. Brightness

To perform brightness adjustment of the input RGB signal

Use the Left & Right button to adjust and button  to “Brightness”

#### 2. Contrast

To adjust the contrast level of the input signal

Use the Left & Right button to adjust and button  to “Contrast”

### Phase / Clock


#### 1. Phase

To adjust input video sampling clock's phase

Use the Left & Right button to adjust and button  to “Phase”

#### 2. Clock


To adjust input video sampling clock

Use the Left & Right button to adjust and button  to “Clock”

### H/V Position

#### 1. H.Position

To adjust the horizontal size of the frame

Use the Left & Right button to adjust and button  to “H.position”.

#### 2. V.Position

To adjust the vertical position of the frame

Use the Left & Right button to adjust and button  to “V.position”.



## 10. LCD OSD Menu Operation

### **MISC**

#### **1. Information**

The first header row shows the current resolution setup

The second header row shows the horizontal frequency of the current input signal

The third header row shows the vertical frequency of the current input signal

#### **2. OSD Timer**

To modify the duration of the OSD time-out

#### **3. Color**

##### **a) 5500K**

Select Colour Temp at 5500K

##### **b) 6500K**

Select Colour Temp at 6500K

##### **c) 9500K**

Select Colour Temp at 9500K

##### **d) User**

Change Colour Temp by manual

#### **4. Language**

To select the language of OSD menu 7 Languages :

- (1) English
- (2) Japanese (日本語)
- (3) Chinese (中文)
- (4) German
- (5) Francais
- (6) Espanol
- (7) Italiano

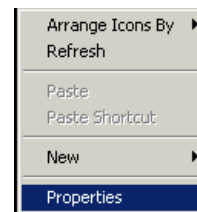


## 11. Resolution Settings

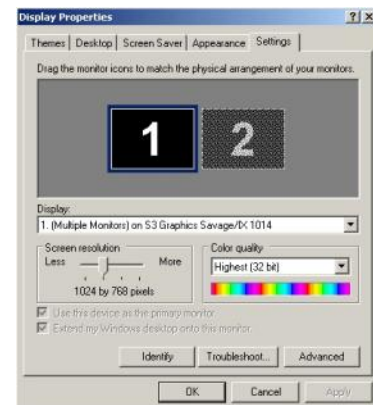
### For Microsoft Windows

Step 1 – Press right click on the desktop

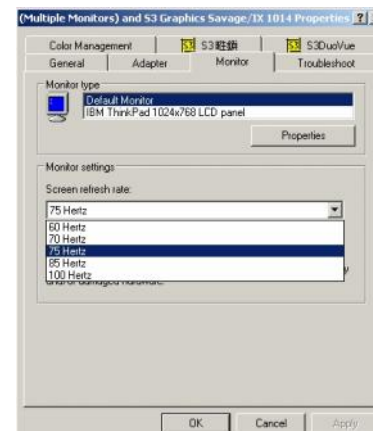
Step 2 – Choose “Properties”



Step 3 – Change the “Screen Resolution”



Step 4 – Change the “Screen refresh rate”





## 11. Resolution Settings

### For SUN Servers

Resolution configuration procedures should be run by qualified SUN server administrator

Sun Servers are using resolution at 1152 x 900 x 76Hz.

Supported resolution mode for 15" LCD:

1024 x 768 x 70/75Hz

Supported resolution mode for 17" LCD:

1280 x 1024 x 75Hz

You need to change the Sun Server resolution before you connect to LCD Display.

Please do the following procedures to change the resolution settings :

1. As root:

You may find the following comment `"/user/sbin/m64config"`.

2. To view current resolution:

Type `"/user/sbin/m64config – prconf"`.

3. To change to 1024x768 @ 70MHz:

Type `"/user/sbin/m64config – res 1024x768x70 now"`.

4. The screen will be rubbish.

5. Then type `"pkill Xsun"`.

And Type `"pkill Xsession"` to restart the Xsession.

**Note** : Remember to RESTART the server after these processes.

Under Common Desktop Environment (CDE).

To change the OpenBoot resolution, you can type the following command in OK prompt.

1. In OK prompt, type `"setenv output-device screen:r1024x768x70"`.
2. Type `"printenv"` to confirm the resolution has been changed to 1024x768x70Hz.
3. Then type, `"reset"` to restart the system.

**Note** : Remember to RESTART the server after these processes.



## 12. Technical Specification

### LCD

Item	Description		
LCD Screen Manufacturer			
LCD Origin	South Korea		
Panel	<b>15" TFT</b>	<b>17" TFT</b>	<b>19" TFT</b>
Resolution	1,024 x 768	1,280 x 1,024	1,280 x 1,024
Brightness	250 cd/m2		
Color	16.2 Million	16.2 Million	16.7 Million
Contrast Ratio	300:01:00	350:01:00	500:01:00
Viewing Angle	140° x 120°		170° x 170°
Display Area	304 x 228 mm	337 x 270 mm	376 x 301 mm
Pixel Pitch	0.297 mm	0.264 mm	0.294 mm
Response Time (Tr)	5ms		15ms
Response Time (Tf)	20ms		10ms
Back Light	4 x Cold Cathode Fluorescent Tube		
Horizontal Sync.	48 - 60 KHz	64 - 80 KHz	64 KHz
Vertical Sync.	60 - 75 Hz	60 - 75 Hz	60 Hz
Input Signal	Analog RGB 0.7Vp-p		
Power Management	VESA DPMS		
OSD Control	Brightness, Contract, Colour, Clock		
	H.Position, V.Position, Phase, Scaling		
	Auto Config., Input Select, Multi-Window		
	Clear EEPROM, OSD adjust		
Power Input	12V DC Adapter		
Video Input	15-pin D-Sub Connector		
Dimension	KVM-RKM-15-6RU : 48(W) x26.5(H)x4(D) cm KVM-RKM-15-6RU : 48(W)x35.5(H)x4.5(D) cm KVM-RKM-19-9RU : 48(W)x39.9(H)x7(D) cm		
Weight	KVM-RKM-15-6RU : 5kg / 17-7RU : 7kg / 19-9RU : 8kg		

**Toll Free # 1-877-742-4433**

\* All brand names, logo registered trademarks are properties of their respective owners.